

# Metal Series Aluminum and Steel Slatwall

Metal Series is an interlocking system that forms a continual wall of aluminum or steel without visible fasteners or horizontal seams.

This interlocking system, along with its variety of finishes and colors, provides unlimited design choices. Metal Series is available with multiple slat-spacing options as well as single or double-sided. Trim, finishing edges, corners, tops, and bottoms are easily matched to the interlocking slatwall system. Fasteners are concealed adding a professional look to the Metal Series slatwall system. For additional visual merchandising appeal, various slat finishes and colors can be combined to create an eccentric mix.

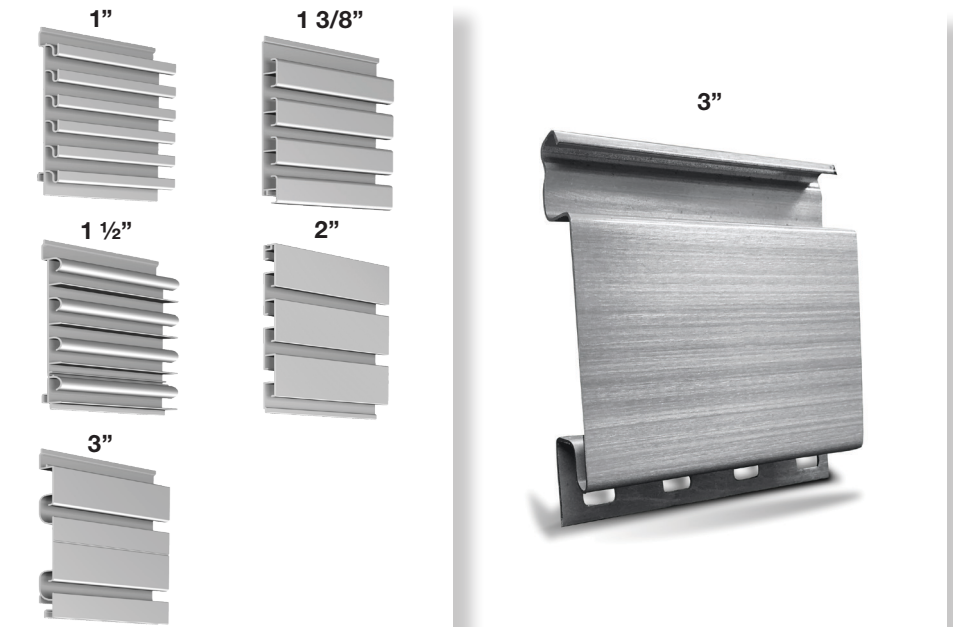
The clean, professional, and organized appearance of Metal Series, along with its incredible strength of 50 pounds per linear foot and supreme durability makes it an exceptional value.

### Installation

Contact our expert Project Managers for installation information.

### Information and Sample Request

For more information or to request a sample, visit:  
[www.windmillslatwall.com/MetalSeries.html](http://www.windmillslatwall.com/MetalSeries.html)  
 or call 800.548.7528.



Aluminum	Steel
<ul style="list-style-type: none"> <li>■ Incredible strength</li> </ul>	<ul style="list-style-type: none"> <li>■ Incredible strength</li> </ul>
<ul style="list-style-type: none"> <li>■ 1", 1 3/8", 1 1/2", 2", and 3" on-centers</li> </ul>	<ul style="list-style-type: none"> <li>■ 3" on-center</li> </ul>
<ul style="list-style-type: none"> <li>■ 96" standard length</li> </ul>	<ul style="list-style-type: none"> <li>■ 48" or 96" standard lengths</li> </ul>
<ul style="list-style-type: none"> <li>■ 6"H sections interlocked</li> </ul>	<ul style="list-style-type: none"> <li>■ 3 3/4"H sections interlocked</li> </ul>
<ul style="list-style-type: none"> <li>■ Various colors</li> </ul>	<ul style="list-style-type: none"> <li>■ Various colors</li> </ul>
<ul style="list-style-type: none"> <li>■ Hidden fasteners</li> </ul>	<ul style="list-style-type: none"> <li>■ Hidden fasteners</li> </ul>

Anchor™ Core is **50% stronger** than slatwall made with medium density fiberboard (MDF) core.  
 Wind Mill Slatwall Products is the **exclusive** manufacturer of Anchor™ Core slatwall.